

PACKING LIST


	pcs
Frame	
Column, 1500 mm cable	1
Column, 500 mm cable	1
Feet	2
End pipe	2
Outer pipe	4
Connection pipe	2
Cable clamp	8
Rubber washer	18
Hole cap	4
Control box/ handset	
Control box	1
Handset, 1800 mm cable	1
AC cable, 2000 mm	1
Screws	
Screw for rubber grip, M6 x 16 mm, 14 mm head	4
Screw for outer pipe, M6 x 16 mm, 14 mm head	4
Screw for feet, M10 x 16 mm	8
Tailstock for con. pipe, M10 x 20 mm	8
Screw for desktop, Ø5 x 20 mm	14
Screw for handset, Ø4 x 25 mm	2

TIGHTENING TORQUE

Tailstock:	Maximum 6 Nm.
Screws for rubber grip, outerpipe, feet and desktop:	Maximum 10 Nm.
Screws for handset:	< 6 Nm.

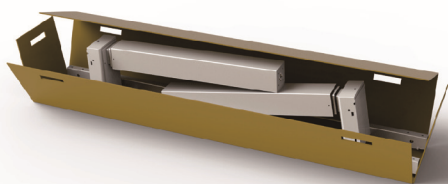
Make sure all screws including tailstock are tightened, also after a period of use!

RESET THE DESK BEFORE USE

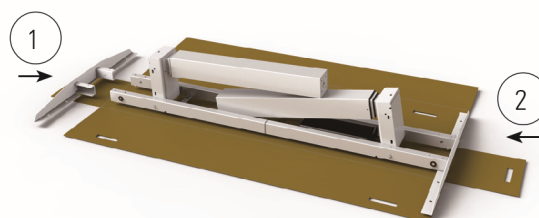
Press both  buttons at the same time for 3 seconds. Continue pressing the buttons until both columns are in lowest position. Keep pressing the buttons until control box makes 1 beep. When control box makes 1 beep, it is confirmed that reset has been completed and buttons can be released. Now the desk is operational.

Make sure all screws including tailstock are tightened, also after a period of use!

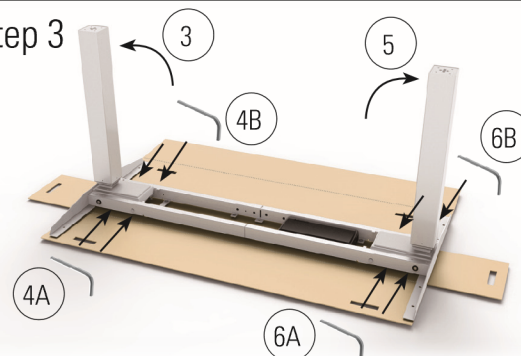
Step 1



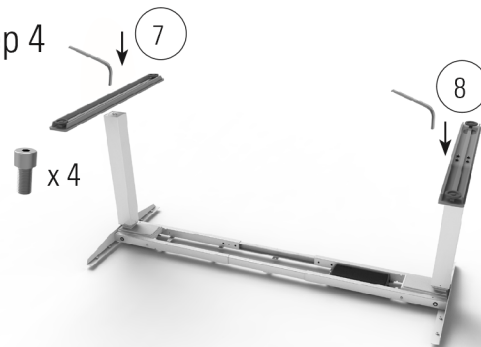
Step 2



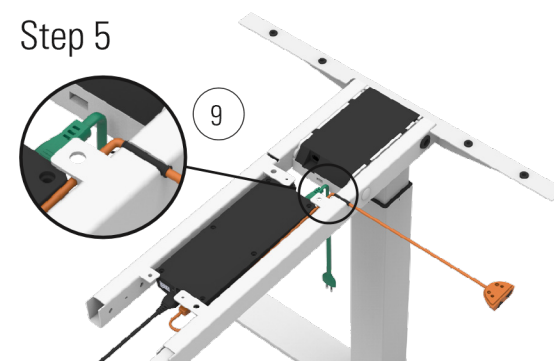
Step 3



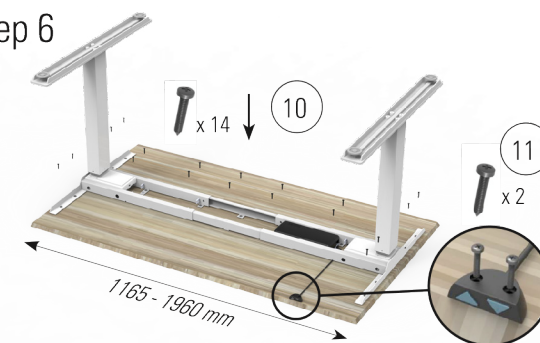
Step 4



Step 5



Step 6



Step 7

